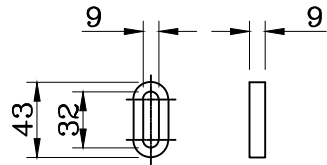
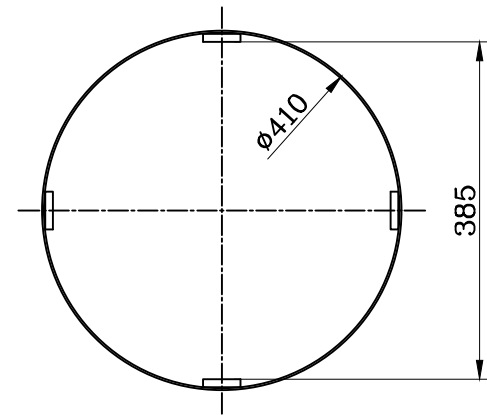
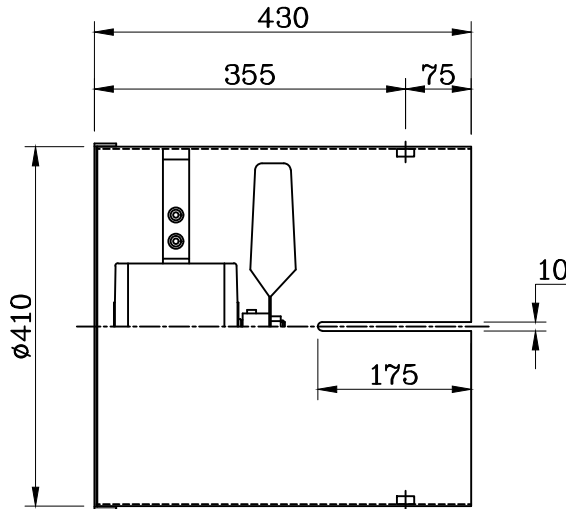
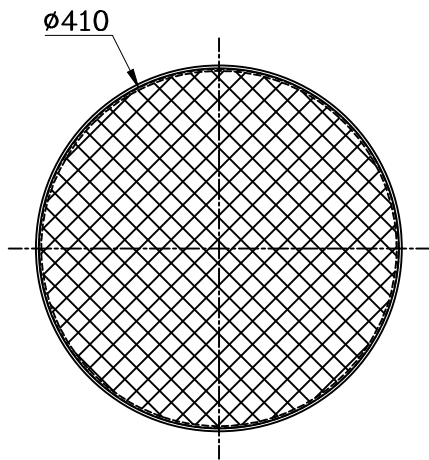


본 도면은 (유)핫패밀리 제산이며 기밀사항에 해당됩니다.



MOTOR TYPE		0.4kW 440V 3p 60Hz 1,750rpm IP-44 F-CLASS		
CABLE GRAND		WEIGHT	NET	kg
PAIN T COLOR	Ievory		GROSS	kg
REMARKS	-			

SERVICE	Axial Fan
BASIS FOR VENT.	SUPPLY
MODEL NO.	HTT-004-410C
CAPACITY	90 m ³ /min
STATIC PRESSURE	30 mmAq

REVISIONS			NO	PARTICULARS	MAT'L	Q'TY	ONE WEIGHT	TOTAL WEIGHT	REMARKS
△			APPR'	D.K.K	M.C.NO.		PLANT	POSCO	
△			CHD	S.S.K	SCALE 1/1		TITLE		
△			DWG	G.Y.P	ANGLE			Motor Cooling Fan	
			DATE	2018.12.20	REF.NO			DWG ASS'Y	
This Drawing and Information contained therein are the property of Hot Family. And may not be used and copied without the written consent of Hot Family.								DRAWING NO	MDE-HD-181220-03